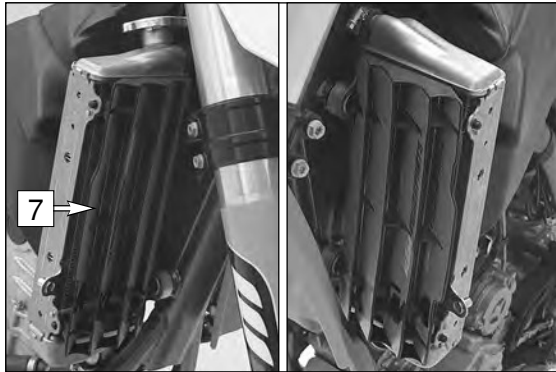


Scope of supply:

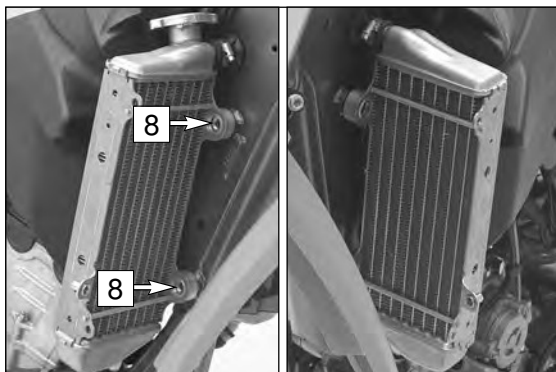
- 1x radiator shield, right (1)
- 1x radiator shield, left (2)
- 1x connecting plate (3)
- 4x collar screws M6x13 (4)
- 4x collar screws M6x15 (5)
- 4x collar screws M6x25 (6)

0024060136
 0024060156
 0024060256

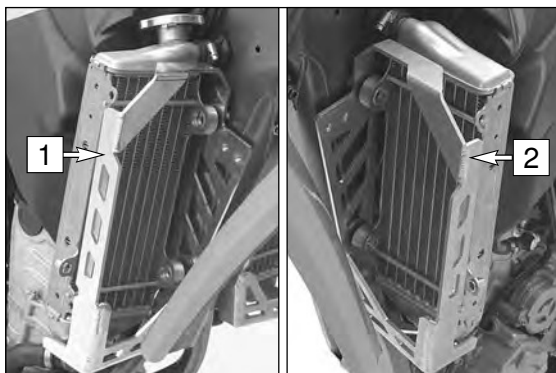


Preassembly

- Remove the seat and spoiler (see the Owner's Manual).
- Remove the plastic radiator shield (7).

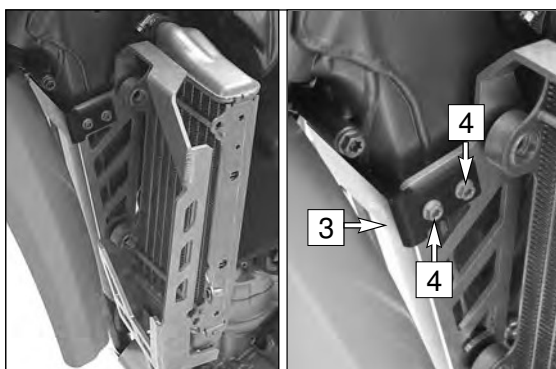


- Remove the screws (8) and pull the radiator from the frame.

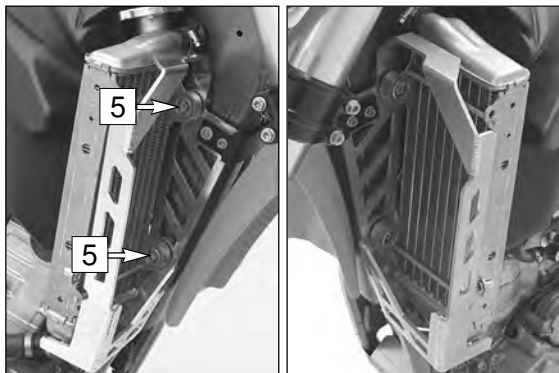


Assembly

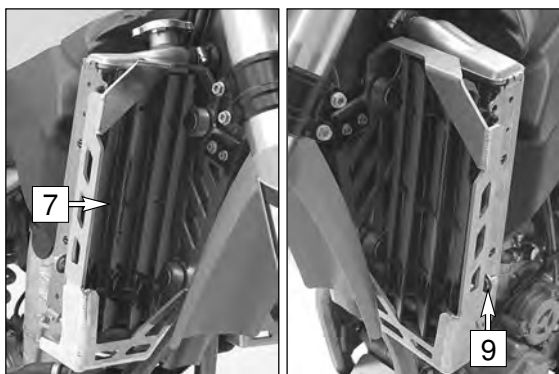
- Position the radiator shield on the right (1) and left (2) between the frame and radiator.



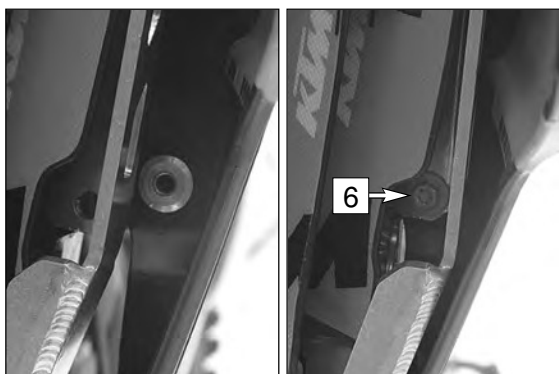
- Position the connecting plate (3) and tighten the included M6x13 collar screws (4) to 10 Nm.



- Attach the radiator using the included M6x15 collar screws (5) to 10 Nm.



- Mount the plastic radiator shield (7).



- Position the tank spoiler between the radiator fastener (9) and the radiator shield.
- Tighten the M6x25 collar screws (6) to 10 Nm.



Final assembly

- Tighten the remaining screws of the tank spoiler and mount the seat (see the Owner's Manual).

Note:
Adjust the steering angle on the left and right so that the fork does not come in contact with the radiator shield when the handlebar is turned.